

**VICTORY® 2004.**

**ACCELERATING THE ART OF THE AMERICAN CRUISER.**



**THE NEW AMERICAN MOTORCYCLE™**

## 90 LBS/FT OF TORQUE AT THE CRANK. NOW THAT'S ART.

A Victory® motorcycle is a thing of beauty. A modern American cruiser. Everywhere you look, from any angle, your eyes are rewarded with smooth-flowing lines and custom details. But before its seductive styling puts you in a meditative state, check out the performance charts on page 3. Right along with high-tech styling, Victory delivers high-torque power, plus smooth handling and confident braking. Throw your leg over The New American Motorcycle™ You'll discover, like thousands of Victory owners before you, that 90 lbs. of torque is pure art.

- 2 THE VICTORY FREEDOM™ ENGINE
- 4 THE VICTORY FAMILY
- 6 VICTORY KINGPIN™
- 8 VICTORY VEGAS™
- 10 PURE VICTORY CHROME/STYLING ACCESSORIES
- 12 PURE VICTORY TOURING ACCESSORIES
- 14 PURE VICTORY APPAREL
- 17 SPECIFICATIONS



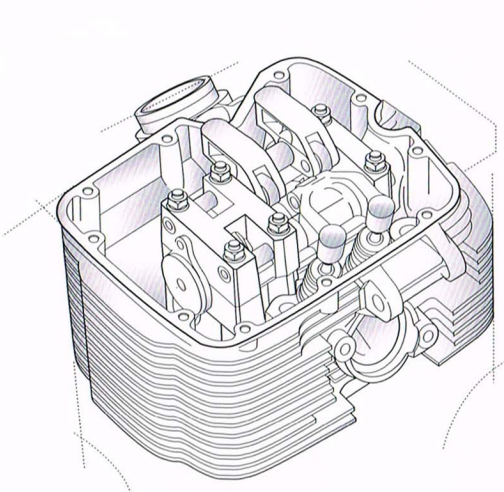
## THE PERFECT UNION OF FORM AND FUNCTION. OR AS WE LIKE TO CALL IT, FREEDOM.™

At the heart of The New American Motorcycle is the Freedom™ V-twin. A modern, high-tech and reliable engine designed and built by Victory® engineers. It's a V-twin, just like the best-selling American engine in its class, but that's where the similarity ends. A big 92 cubic inches pumping out more low- and mid-range torque. Freedom means overhead cams and four valves per cylinder, delivering superior top-end power. Plus air/oil cooling to ensure stable engine temps and long-lasting durability. And electronic fuel injection with 44mm throttle bodies, standard on all models for sure starts and crisp throttle response.

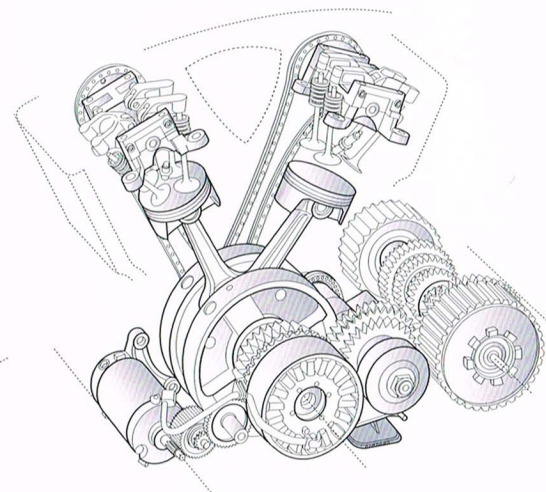
For those who can't get enough of Freedom, we offer Victory Performance upgrade accessories.\* Built for Victory owners by Victory engineers, these state-of-the-art systems ensure you of a perfect fit, in your choice of performance exhaust with a brilliant chrome finish.

High-tech styling and high-torque power. The perfect union of form and function. This is Victory. The New American Motorcycle.™ Powered by Freedom.

\*These parts are intended for racing applications only and are not legal for street use.

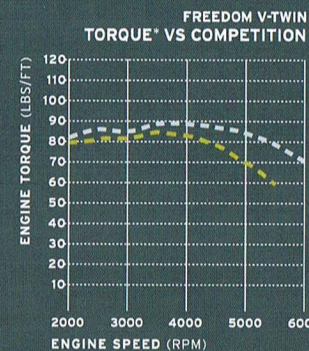
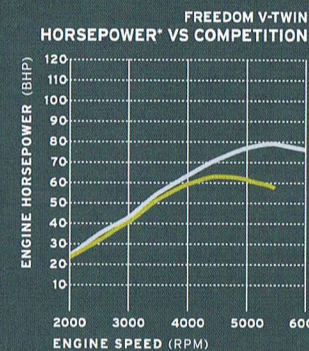


*Built by Victory, the 92 cubic inch Freedom engine features an overhead cam and four valves per cylinder, delivering torque and horsepower superior to the best-selling American V-twin in its class.*

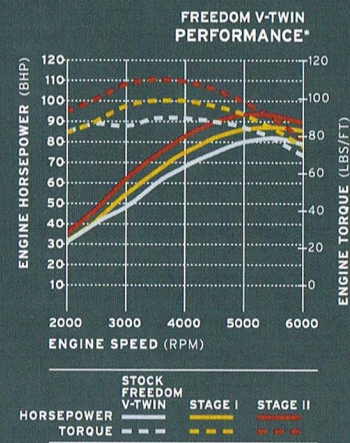


*The Victory Freedom powerplant is equipped with a gear-driven primary, single-pin crankshaft and balance shaft, maximizing performance and minimizing vibration and maintenance.*

Massive, modern and modifiable, the Victory Freedom engine outperforms the best-selling American V-twin, with factory-developed upgrades available for use in competition.



STOCK FREEDOM V-TWIN (Solid Grey Line)  
 BEST SELLING V-TWIN (Solid Yellow Line)  
 HORSEPOWER (Solid Lines)  
 TORQUE (Dashed Lines)



STOCK FREEDOM V-TWIN (Solid Grey Line)  
 STAGE I (Solid Yellow Line)  
 STAGE II (Dashed Red Line)  
 HORSEPOWER (Solid Lines)  
 TORQUE (Dashed Lines)

\*Touring Cruiser configuration shown.

**POWER AND STYLE RUN IN THE FAMILY.**



**NEW KINGPIN™**



Victory Vegas named  
2003 Cruiser of the Year  
by *Cruising Rider* magazine



Victory Vegas named 2003  
Best New V-Twin Motorcycle  
by *V-Twin* magazine



Victory Vegas named  
2003 Best Cruiser  
by *Cycle World* magazine



Victory Vegas named  
2003 Best Cruiser  
by *Motorcyclist* magazine



VEGAS™

**KINGPIN**







SONIC BLUE WITH TRIBAL FADE FLAMES · Shown with optional chrome accessories.  
Colour option shown is not available in the UK.



PURPLE THUNDER · Colour option shown is not available in the UK.



## GUTS NEVER LOOKED SO PRETTY.

Steel and chrome have never looked sweeter. Introducing Kingpin,<sup>™</sup> the newest of The New American Motorcycles. The attitude of this cruiser says cool and comfortable, whether it's gathering a crowd on a city street or breaking away from it on the open road. Follow the curve of the fully valanced front fender to the massive, inverted front fork, across the handlebars and down the scalloped tank to the business end of Kingpin. A 92 cubic inch Freedom V-twin engine ready to power you to the next time zone. The rest of the Kingpin is pure comfort. Eighteen-inch front and rear wheels, roomy, vibration-absorbing floorboards, and front and rear suspensions built and fine-tuned for an extra measure of cross-country smooth.

- **Powerful, 92 cubic inch Freedom V-twin with standard electronic fuel injection.**
- **Overhead cam with four valves per cylinder for superior power at high RPM.**
- **Aluminum swingarm with rising-rate linkage rear suspension for a smooth ride and optimal handling.**
- **Inverted-cartridge fork, fully valanced fenders, full floorboards, rubber-mounted handlebars.**
- **6-spoke cast aluminum wheels, 18 inch front, 18 inch rear.**
- **Wide 130 mm front tire, 180 mm back tire put more rubber on the road.**

# VEGAS

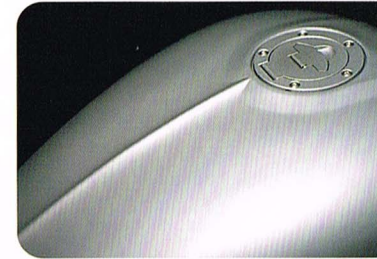




SONIC BLUE · Shown with optional chrome accessories.  
Colour option shown is not available in the UK.



SOLAR RED



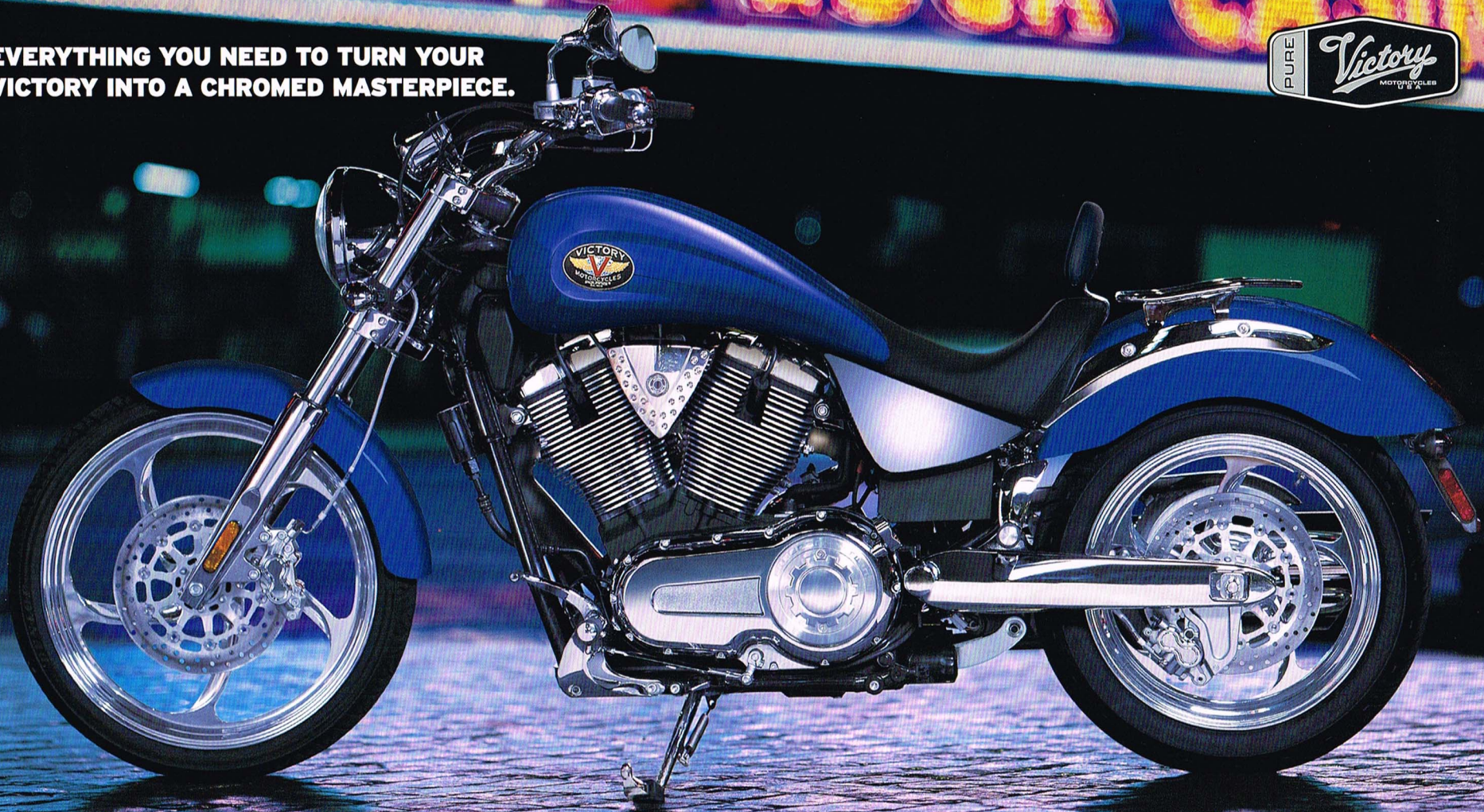
## POWERFUL ANY WAY YOU LOOK AT IT.

Heads turn. Eyebrows raise. Ears perk. All normal reactions when street art as powerful as the Victory® Vegas™ pulls up. Its smooth-flowing lines, trick custom details and rumbling exhaust tell you this is the most modern expression of the American V-twin cruiser. The motorcycle critics agree. *Cruising Rider* magazine named Vegas "Cruiser of the Year," saying, "We applaud Victory for its guts and vision." Ditto *Cycle World*, reporting that Victory Vegas "is refined in both looks and function" and naming it "Best Cruiser." On the outside, Vegas' key styling cues include sensuous curves, a strong centerline defined by a distinctly raised spine, and a one-piece sculpted tank with a split tail. But the beauty of Vegas is more than sheet metal deep. In fact, beneath the surface may be the best reason to head for Vegas. The 1507cc Freedom™ engine snorts out more torque and horsepower than the best-selling V-twin. For 2004, Vegas boasts a wider rear wheel with a 180 mm tire and new custom options that take its high-stakes styling to a whole new level.

- **Powerful, 92 cubic inch Freedom V-twin with standard electronic fuel injection.**
- **Overhead cam with four valves per cylinder for superior power at high RPM.**
- **Aluminum swingarm with rising-rate linkage rear suspension for a smooth ride and optimal handling.**
- **40-spoke laced wheels standard.**
- **Rubber-mounted handlebars minimize vibration.**

**WILD WILD WILD CASINO**

**EVERYTHING YOU NEED TO TURN YOUR VICTORY INTO A CHROMED MASTERPIECE.**



**FOR THE COMPLETE LINE OF PURE VICTORY ACCESSORIES, VISIT YOUR LOCAL VICTORY DEALER OR [WWW.POLARIS-BRITAIN.COM](http://WWW.POLARIS-BRITAIN.COM)**

**VEGAS™ SHOWN WITH CHROME/STYLING ACCESSORIES:**

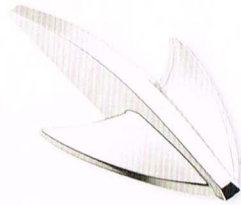
- Chrome brake caliper caps - (Front) 2872785  
(Rear) 2874738
- Chrome forks & triple clamps - 2874306
- Chrome risers & caps - 2874577
- Chrome switch housings - 2874290
- Chrome brake reservoir cover - 2872137

- Chrome clutch arm cover - 2874754
- Chrome dipstick - 2874825
- Chrome foot pegs - 2874294
- Billet shift linkage - 2874820
- Chrome rod ends - 2874822
- Chrome gas cap - 2874823

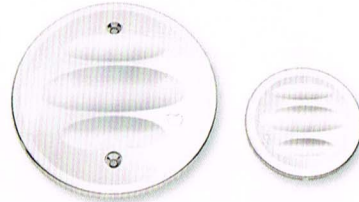
- Chrome cam chain adjuster cover - 2872852
- Chrome side covers - 2874292
- Chrome passenger peg mounts - 2874483
- Solo backrest kit - 2874368
- Chrome swingarm - 2874298
- Chrome solo cargo rack - 2874289



1



2



3



4



5



6



7



8



10



11



12

### 1 CHROME DRIVER FLOORBOARDS K

Polished and plated, these custom floorboards add brilliant chrome to your bike. Rubber inserts reduce vibration and add stability.

2874720

### 2 CHROME FENDER TIP K

This quality chrome accent lets your Victory shine.

2874595

### 3 ARLEN NESS CHROME ENGINE COVER BADGES V K

Brightens up the look of your high-performance Victory Freedom powerplant.

2874297

### 4 CHROME AXLE BRACKETS & TRIPLE CLAMPS K

The ultimate chrome accessory. Complements the stunning looks of your new Kingpin and gives it the full custom treatment. Includes stock fork legs, chromed upper and lower triple clamps, and axle brackets. Replaces stock setup. Dealer installation recommended.

2874604

### 5 CHROME HEADLIGHT VISOR (Not available in the UK.) K

Tops off the headlight with a touch of chrome.

2874672

### 6 ADJUSTABLE CHROME HIGHWAY PEGS K

Offset mounts with 1-1/4" quick clamp and large comfort pegs. Requires installation of highway bar. (Sold separately.)

2874837

### 7 CHROME SWINGARM V K

A gorgeous, head-turning stretch of mirror-smooth chrome. The crowning touch for any Vegas or Kingpin customizing project. Dealer installation recommended.

2874298

### 8 FENDER TRIM KIT K

Add a custom touch to the fenders of your new Kingpin.

2874594

### 9 FENDER BUMPER KIT K

Helps protect your new Victory while adding to its one-of-a-kind design.

2874593

### 10 CHROME PASSENGER FLOORBOARDS & SUPPORTS V K

Adds stable footing and custom chrome look. Flip up when not in use.

2874584

### 11 CHROME SIDE COVERS V K

Replacements for your Vegas or Kingpin side covers, in brilliant chrome.

2874292

### 12 COMFORT HANDGRIPS V K

Specially designed to minimize vibration for extra comfort on the road.

2874838

Some items shown not available until winter 2003-2004. Visit [www.polaris-britain.com](http://www.polaris-britain.com) for the most current product lineup and availability. Visit [www.victory-usa.com](http://www.victory-usa.com) for Victory Performance parts. Some items may not be available internationally.

Vegas V Kingpin K

AMERICAN FORM PLUS VICTORY FUNCTION  
EQUALS TOTAL CROSS-COUNTRY COMFORT.



FOR THE COMPLETE LINE OF PURE  
VICTORY ACCESSORIES, VISIT  
YOUR LOCAL VICTORY DEALER  
OR [WWW.POLARIS-BRITAIN.COM](http://WWW.POLARIS-BRITAIN.COM)

**KINGPIN™ SHOWN WITH TOURING ACCESSORIES:**

Fender trim - 2874594  
Luggage rack - 2874588  
Saddlebag mounting bracket - 2874283  
Semi-hard leather saddlebag\* - 2874586  
Passenger backrest - 2874587

Mid windscreen - 2874589  
Windscreen bracket - 2874679  
Lower wind deflectors - 2874591  
Highway bar - 2874583  
Soft highway bar lowers - 2874603

Billet front wheel (Monaco 7-spoke) - 2874707  
Billet rear wheel (Monaco 7-spoke) - 2874708  
Chrome fender tip - 2874595

\*Also fits Vegas



### 1 WINDSCREENS

K

Durable Victory windscreens protect you from wind, bugs and debris, making every ride more enjoyable. Requires mounting bracket. See dealer for additional models.

- 2874590 Tall Windscreen (21" shown)
- 2874589 Mid Windscreen (19 1/2")
- 2874592 Low Windscreen (18 3/4")
- 2874679 Windscreen Mounting Bracket

### 2 7-SPOKE BILLET WHEELS\*

K

Nothing adds more custom appeal to your new Kingpin than these high-styled 7-spoke wheels. Made of solid billet aluminum for superb strength and performance, built to exacting Victory specifications.

- 2874707 Front
- 2874708 Rear

### 3 18" LACED WHEELS

K

The classic, 40-spoke biker wheels with billet hubs.

- 2874704 Front (not shown)
- 2874705 Rear

### 4 2" PULLBACK HANDLEBAR KIT

V K

Designed for great looks and outstanding comfort. Perfect for riders with a shorter reach.

2874776

### 5 DRIVER FLOORBOARD KIT

V

Replaces the foot pegs on your new Vegas, and adds a nice custom touch.

2874779-385

### 6 SMUGGLER REAR STORAGE BOX\*

V K

Provides storage space for wallet, cell phone and sunglasses. Fully assembled. Replaces rear passenger seat.

2874304-266

### 7 HARD SADDLEBAG\*

V K

Sculpted to perfectly complement the flowing design of your Vegas or Kingpin. Top-loading, fully lined, lightweight and durable. Requires brackets.

- 2874305-266
- 2874283 Saddlebag Brackets

### 8 TOURING SEAT

V K

High-quality one-piece touring seat adds comfort for your long-distance trips.

2874580

### 9 STUDED TOURING SEAT WITH DRIVER BACKREST (Not available in the UK.)

High-quality, two-piece touring seat adds long-distance comfort to your Victory. Built-in driver backrest is fully adjustable and removable without tools. Front width: 15 in. Rear width: 13 in.

2874667

### 10 SOLO SEAT

V K

Very comfortable, low-profile saddle. Cool look with excellent cruising comfort.

2874579

### 11 SOLO BACKREST KIT

V

This bolt-on backrest has clean styling, adding extra comfort to every ride.

2874368

### 12 BACKREST BAG

V K

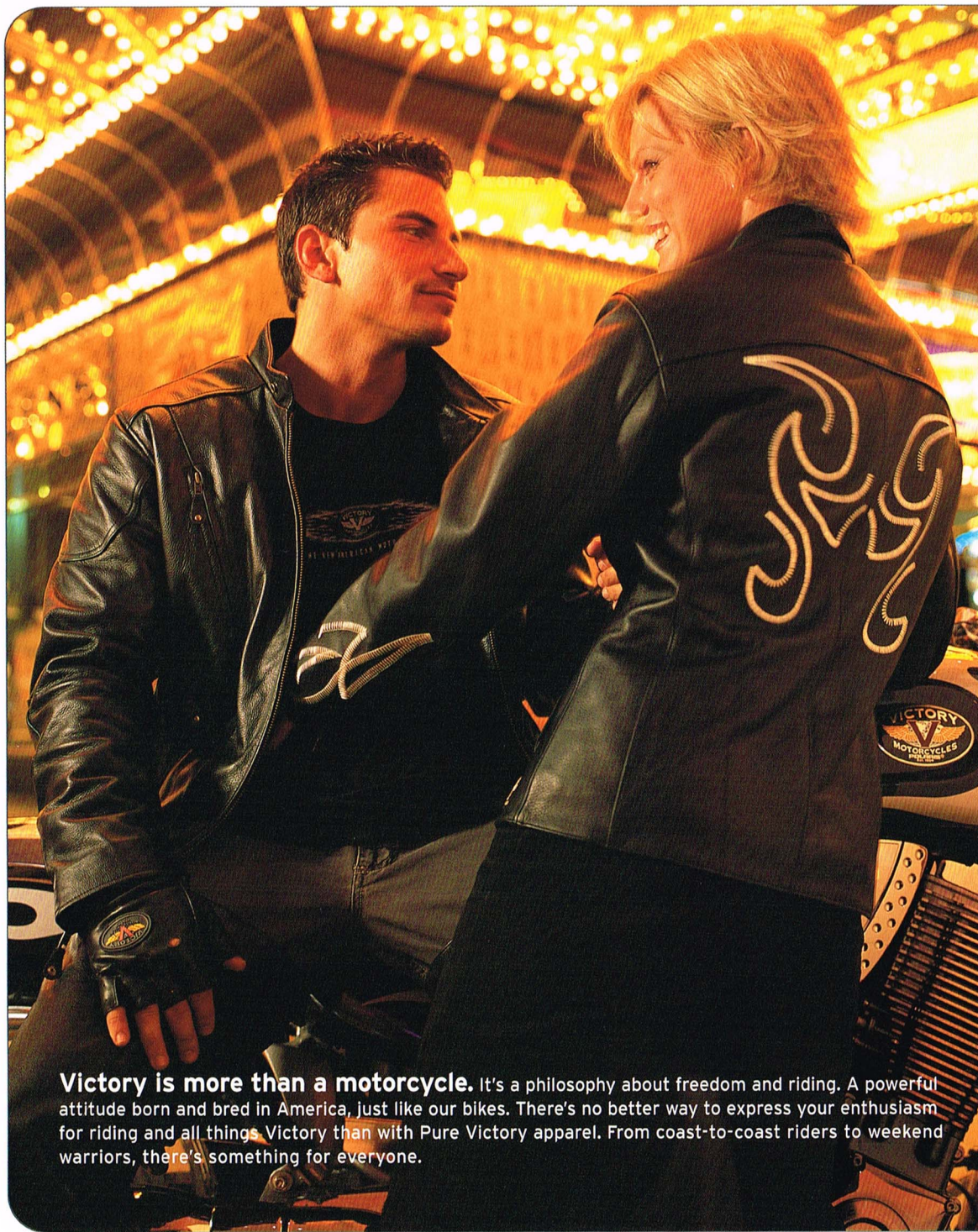
A place for everything from extra clothes to your cell phone. Made of durable polyester, with high-density foam to maintain its shape. Built-in rain cover. 12"H x 10"W x 7"D.

2874782

Some items shown not available until winter 2003-2004. See web site for the most current product lineup and availability. Some items may not be available internationally.

Vegas V Kingpin K

\*Styles may vary from pictures shown.



**Victory is more than a motorcycle.** It's a philosophy about freedom and riding. A powerful attitude born and bred in America, just like our bikes. There's no better way to express your enthusiasm for riding and all things Victory than with Pure Victory apparel. From coast-to-coast riders to weekend warriors, there's something for everyone.



#### 1 MAVERICK LEATHER JACKET

Our newest jacket, with a classic look. Features Victory tank badge logos on back and arm. Quilted Thinsulate™ zip-out lining, reinforced elbows, zip pockets and cuffs, laced sides.

2854305 M-XL  
XXL-XXXL

#### 2 WOMEN'S WESTERN FLAME LEATHER JACKET

Western fashion meets riding comfort. This handcrafted leather jacket features an embroidered western flame pattern on front, back and arms, plus an embroidered Victory logo on right hip, zip sleeves and zip pockets.

2854307 S-XL  
XXL



THE ART OF LOOKING GOOD AND RIDING PROTECTED.



3



4



5



6



7

### 3 CLASSIC LEATHER JACKET II

The classic motorcycle jacket features Victory tank badge patch on back and U.S. flag patch on arm. Embossed logo on chest. Dry-milled leather, action back silhouette with rotated sleeves. Zip wrists, vented back, nylon mesh lining.

2853302 Men's S-XL  
Men's XLT-XXXL  
2858311 Women's S-XL  
Women's XXL

### 4 VINTAGE RUNNER LEATHER JACKET

Race-inspired and brand new, this leather jacket is 100% Victory, with embroidered logo on front and leather appliqué logo on back. Padded leather collar, adjustable waist tab, padded elbow and zip-out liner.

2854306 S-XL  
XXL-XXXL

### 5 MEN'S FLAT TRACK LEATHER JACKET

Dry-milled distressed leather gives you a broken-in feel, vintage racing stripes and Victory engine oil logo along sleeves give a race-inspired look, adjustable wrists keep the wind out and give you the perfect fit, zip pockets, matches the Victory Rider Chaps.

2859322 S-XL  
XLT-XXXL

### 6 SANTA FE LEATHER JACKET

Mid-length jacket with tonal race stripes. Laced wrist cuffs, snap-out lining, embroidered logo on chest and lower back.

2853304 M-XL  
XXL-XXXL

### 7 VICTORY CLASSIC LEATHER CHAPS

Road-ready chaps made of top-grain, dry-milled leather. Can be worn with any Victory jacket. Can be cut to fit any rider's inseam.

2854304 XS-XL  
XXL

### 1 VICTORY CLASSIC LEATHER RIDING VEST

Our newest vest, with Victory tank badge logos front and back. Lined, with quilted mock kidney belt, four snaps and two zip pockets.

**2854308** Men's S-XL  
Men's XXL-XXXL  
**2854309** Women's S-XL  
Women's XXL

### 2 MEN'S LEATHER CHAIN VEST

The ultimate riding vest, featuring Victory logos embroidered on front and back, poly lining, two pockets, removable chains.

**2854310** S-XL  
XXL-XXXL

### 3 VICTORY 2-PIECE RAIN SUIT

Made of lightweight PVC, with Victory tank logos front and back. Front zipper closure, vented across back, reflective strips front and back. Pants feature elastic waist, reinforced knees, cuff snaps. Includes storage bag. (Front and back shown.)

**2854179** M-XL  
XXL-XXXL

### 4 ALL WEATHER RIDING JACKET

The perfect jacket for comfort and protection. Made of ballistic-type nylon, fully vented, with zip-out liner, removable shoulder and elbow armor. Weather-treated, water-resistant fabric. Embroidered Victory tank badges front and rear, reflective piping, interior chest pocket.

**2854180** S-XL  
XXL-XXXL

### 5 NYLON RIDING JACKET

Our best all-season riding jacket. Fitted design, featuring ballistic-type nylon with zip-out liner, removable shoulder and elbow armor. Weather-treated, water-resistant fabric. Fully vented. Embroidered Victory logo, interior chest pocket, reflective piping.

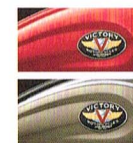
**2854187** S-XL  
XLT-XXXL



**FOR THE COMPLETE LINE OF PURE VICTORY APPAREL, VISIT YOUR LOCAL VICTORY DEALER OR [WWW.POLARIS-BRITAIN.COM](http://WWW.POLARIS-BRITAIN.COM)**



Black  
Silver Red



Solar Red  
Black & Bronze Mist

Colour option shown is not available in the UK.

## SPECIFICATIONS

### VEGAS™

### KINGPIN™

<b>Engine</b>	4-stroke/50°/Freedom V-twin	4-stroke/50°/Freedom V-twin
<b>Cooling System</b>	Air/Oil	Air/Oil
<b>Bore x Stroke</b>	97 x 102 mm	97 x 102 mm
<b>Displacement</b>	92 cu. in./1507cc	92 cu. in./1507cc
<b>Compression Ratio</b>	9.2:1	9.2:1
<b>Valve Train</b>	SOHC/4 valves per cylinder/self-adjusting cam chains/hydraulic lifters	SOHC/4 valves per cylinder/self-adjusting cam chains/hydraulic lifters
<b>Carburetion</b>	Electronic fuel injection/44 mm throttle bodies	Electronic fuel injection/44 mm throttle bodies
<b>Fuel Capacity</b>	4.5 gal./17.0 ltr.	4.5 gal./17.0 ltr.
<b>Exhaust</b>	Staggered slash-cut dual exhaust with common volume	Staggered slash-cut dual exhaust with common volume
<b>Oil Capacity</b>	6.0 qts./5.7 ltr.	6.0 qts./5.7 ltr.
<b>Charging System</b>	38 amps	38 amps
<b>Battery</b>	12 volts/18 amp hours	12 volts/18 amp hours
<b>Primary Drive</b>	Gear drive with torque compensator	Gear drive with torque compensator
<b>Clutch</b>	Wet/multi-plate	Wet/multi-plate
<b>Transmission</b>	5-speed constant mesh	5-speed constant mesh
<b>Final Drive</b>	Reinforced belt	Reinforced belt
<b>Front Brake</b>	300 mm floating rotor with 4-piston caliper	300 mm floating rotor with 4-piston caliper
<b>Rear Brake</b>	300 mm floating rotor with 2-piston caliper	300 mm floating rotor with 2-piston caliper
<b>Length</b>	96.3 in./2445 mm	99.1 in./2519 mm
<b>Wheelbase</b>	66.5 in./1690 mm	66.5 in./1690 mm
<b>Seat Height</b>	26.5 in./673 mm	26.5 in./673 mm
<b>Ground Clearance</b>	5.8 in./148 mm	5.8 in./148 mm
<b>Rake/Trail</b>	33.1°/5.28 in./134 mm	32.8°/5.44 in./138 mm
<b>Dry Weight</b>	620 lbs./281 kg	639 lbs./290 kg
<b>GVWR</b>	1135 lbs./515 kg	1154 lbs./524 kg
<b>Front Suspension</b>	Conventional telescopic fork/43 mm diameter/5.1 in. (130 mm) travel	Inverted cartridge telescopic fork/43 mm diameter/5.1 in. (130 mm) travel
<b>Rear Suspension</b>	Single, mono-tube gas/forged and cast aluminum w/ rising-rate linkage/3.9 in. (100 mm) travel/preload adjustable spring	Single, mono-tube gas/forged and cast aluminum w/ rising-rate linkage/3.9 in. (100 mm) travel/preload adjustable spring
<b>Front Wheel</b>	21.0 x 2.15 in./40-spoke laced (standard)	18.0 x 3.0 in./6-spoke cast aluminum (standard)
<b>Rear Wheel</b>	18.0 x 5.0 in./40-spoke laced (standard)	18.0 x 5.0 in./6-spoke cast aluminum (standard)
<b>Front Tire</b>	80 90/21 Dunlop® CruiseMAX	130 70-18 Dunlop® Elite II
<b>Rear Tire</b>	180 55-B18 Dunlop® D417	180 55-B18 Dunlop® D417

All specs are for standard Victory Vegas™. Specs may change with the addition of Victory options. Seat height reflects 180 lb. operator weight. Victory Motorcycles reserves the right to change specifications at any time without incurring obligations.

All specs are for standard Victory Kingpin™. Specs may change with the addition of Victory options. Seat height reflects 180 lb. operator weight. Victory Motorcycles reserves the right to change specifications at any time without incurring obligations.

When enjoying your new Victory motorcycle, always wear a helmet, protective eyewear and clothing. Insist your passenger do the same. Ride within the limits of the law and your own abilities. Read and understand your owner's manual. Never ride under the influence of drugs or alcohol. Victory®, Victory Motorcycles® and the Victory logo are registered trademarks of Polaris Sales Inc.

To the best knowledge of Polaris Sales Inc., the specifications, descriptions and illustrative material contained herein are accurate as of August 1, 2003, the date this catalog was approved for printing. Polaris Sales Inc. reserves the right without prior notice to discontinue at any time at its discretion any of the items herein or change specifications or designs without incurring any obligation to the customer. All items are subject to availability and prior sales by our dealers.

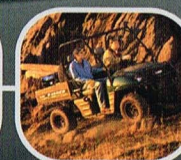
Fifty years ago when Polaris began, people worked hard for themselves and their families, but knew getting out to recharge was important, too. It's time well spent that can shake off a week's worth of work and let the entire family have fun. Polaris gave them The Way Out in exhilarating new forms. Our machines inspired people, and discovering so many others shared our enthusiasm inspired us.

People still work hard, and Polaris keeps adding exciting new products, from the snowmobiles we first invented to ATVs, Victory motorcycles, personal watercraft, sport boats, Professional Series Workmobiles,™ and Pure Polaris parts, apparel and accessories. Each Polaris machine is a sleekly designed reminder of The Way Out, bearing our name with the perfect measure of serious design and well-earned fun.

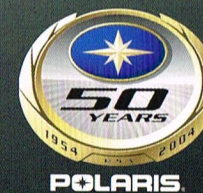
Polaris Industries has grown to include riding clubs and extensive support. Our large dealer network provides everything from customer service to financial services, so any assistance you need is never far away. At Polaris, we know our hard work pays off. We hope our machines remind you that yours does, too. Polaris. **The Way Out.**



1954



2004



Polaris Britain Ltd.  
 Victory House, Brunel Way — Stonehouse, Gloucestershire GL 10 3SX  
 Tel: +44 (0) 1453 85 23 00 Fax: +44 (0) 1453 85 23 23  
[www.polaris-britain.com](http://www.polaris-britain.com) [www.victory-usa.com](http://www.victory-usa.com)

©2003 Polaris Sales Inc.  
 Part #9919136-UK



The official vehicle of Polaris.



**POLARIS**  
 The Way Out.™